

# Wrist Lacer

## FITTING INSTRUCTIONS



# W A R N I N G S

**CAUTION:** FOR SINGLE PATIENT USE ONLY.

**CAUTION:** IF YOU EXPERIENCE INCREASED PAIN, SWELLING, OR ANY ADVERSE REACTIONS WHILE USING THIS PRODUCT, IMMEDIATELY CONSULT YOUR MEDICAL PROFESSIONAL.

**WARNING:** CAREFULLY READ FITTING INSTRUCTIONS AND WARNINGS PRIOR TO USE.

**WARNING:** THIS DEVICE WILL NOT PREVENT OR REDUCE ALL INJURIES. PROPER REHABILITATION AND ACTIVITY MODIFICATION ARE ALSO AN ESSENTIAL PART OF A SAFE TREATMENT PROGRAM.

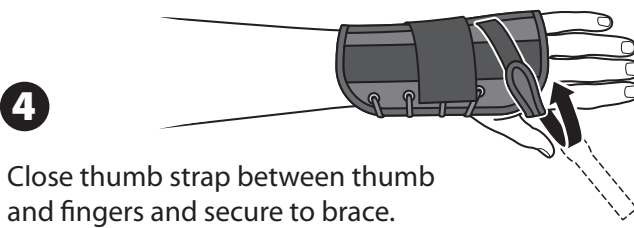
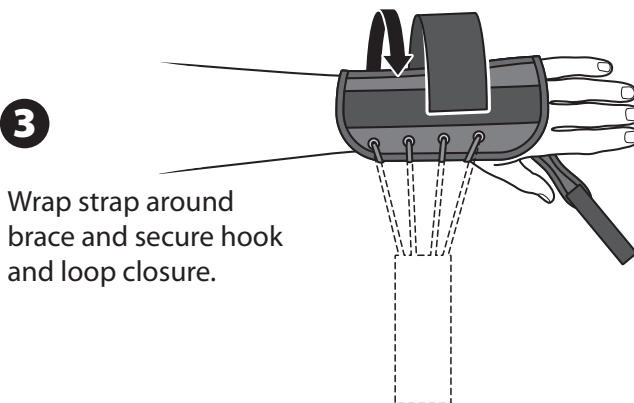
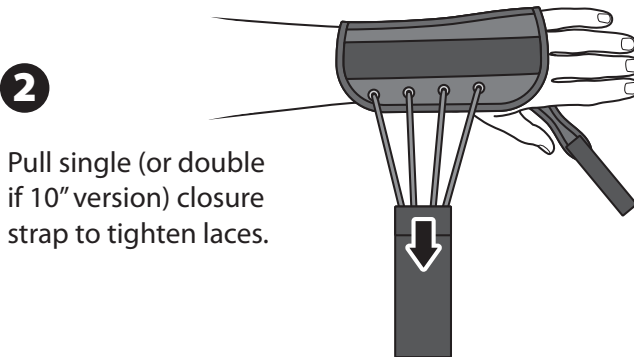
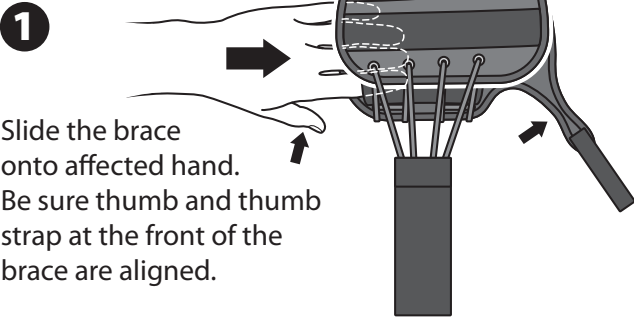


**Breg, Inc.**  
2885 Loker Ave. East  
Carlsbad, CA 92010 U.S.A.  
P: 800-321-0607  
F: 800-329-2734  
www.breg.com  
© 2013 Breg, Inc.

AW-1.90207 REV B 0113

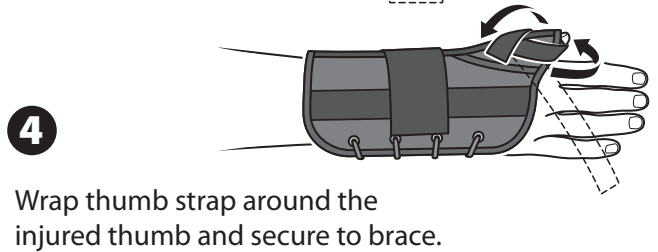
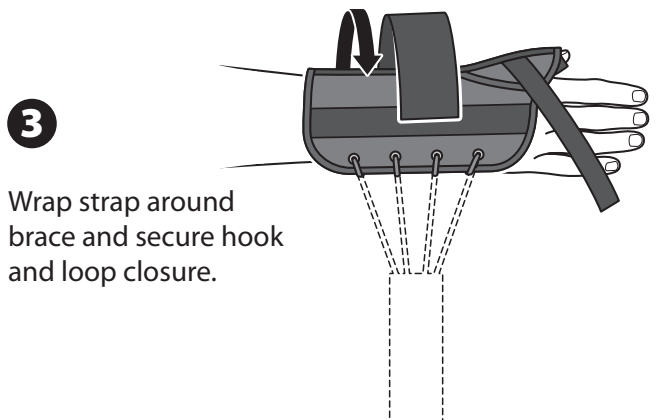
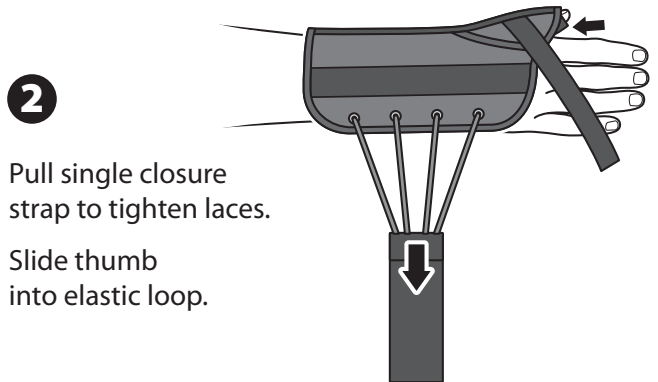
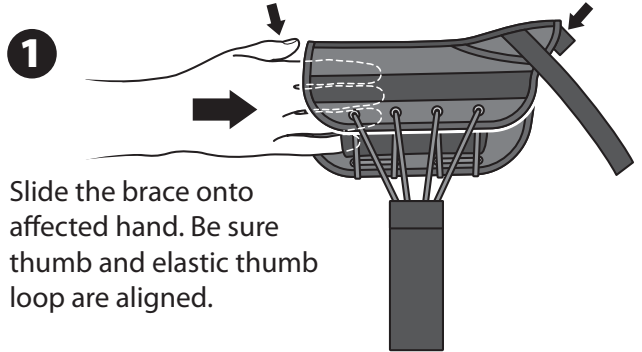
## 8" and 10" Wrist Lacer:

Example illustrates left hand brace application.

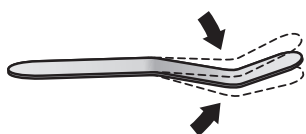


## Wrist Lacer with Thumb Spica:

Example illustrates right hand brace application.



The curvature of the metal stay on the bottom of the brace should fit into the palm of the hand and extend down the forearm.



If necessary, remove the malleable metal stay (see at right) and bend it to the appropriate position.

Trim hook and loop closure strap(s) leaving approximately 1" – 2" of overlap.



**Washing Instructions:** Remove metal stay. Fasten hook and loop closures. Hand wash in warm water using a mild detergent. Air dry.